

PANZERI

Silver Ring

220-240V AC dimmable (DALI/Push DIM)

P08202.050.0402



Data sheet

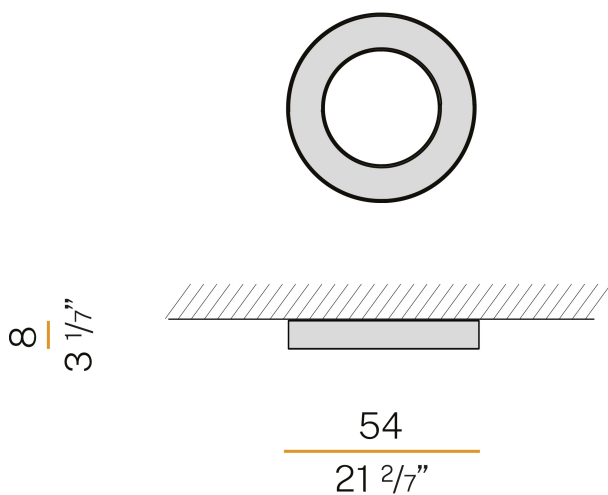
| | |
|----------------------------|--------------------------|
| CODE | P08202.050.0402 |
| SYSTEM POWER CONSUMPTION | 25W |
| EFFICACY | 72.36lm/W |
| LIGHT SOURCE | LED |
| COLOUR TEMPERATURE | 3000K Ra>90 |
| LIGHT DISTRIBUTION | diffused |
| POWER SUPPLY | 220-240V AC |
| FREQUENCY | 50/60Hz |
| ELECTRICAL CONFIGURATION | dimmable (DALI/Push DIM) |
| DRIVER | integrated included |
| NOMINAL LUMINOUS FLUX | 3100lm |
| LUMEN OUTPUT | 1809lm |
| EFFICIENCY | 58.4% |
| WEIGHT | 4.88 Kg |
| PROTECTION DEGREE | IP40 |
| COLOUR TOLLERANCES | SDCM 3 |
| GLOW WIRE TEST PERFORMANCE | 850° |
| PACKING DIMENSIONS (CM) | 58,0 x 14,0 x 58,0 |



Ceiling or wall lighting fixture for interiors, with direct light emission.
Pickled sheet metal ceiling/wall bracket in polyacrylic paint.
Pickled sheet metal structure in polyacrylic paint.
Aluminium dissipation plates.
Pickled sheet metal covers in white, black or bronze polyacrylic paint, or with gold leaf coating.
Modelled polycarbonate diffuser with opaline finish.



Technical drawing



Application



Polar diagram

